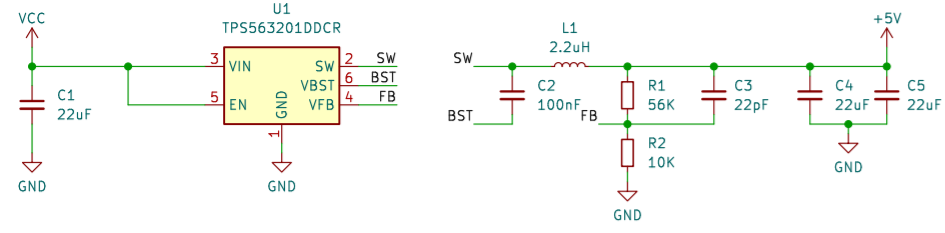
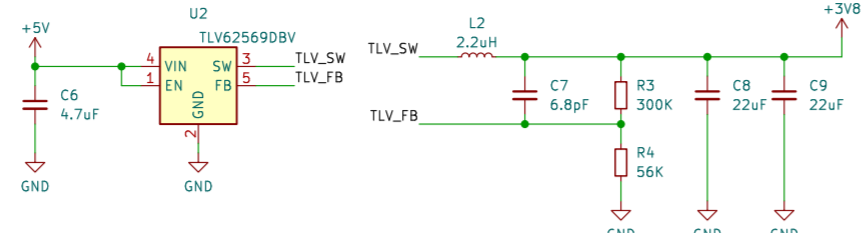


5V DC-DC Converter

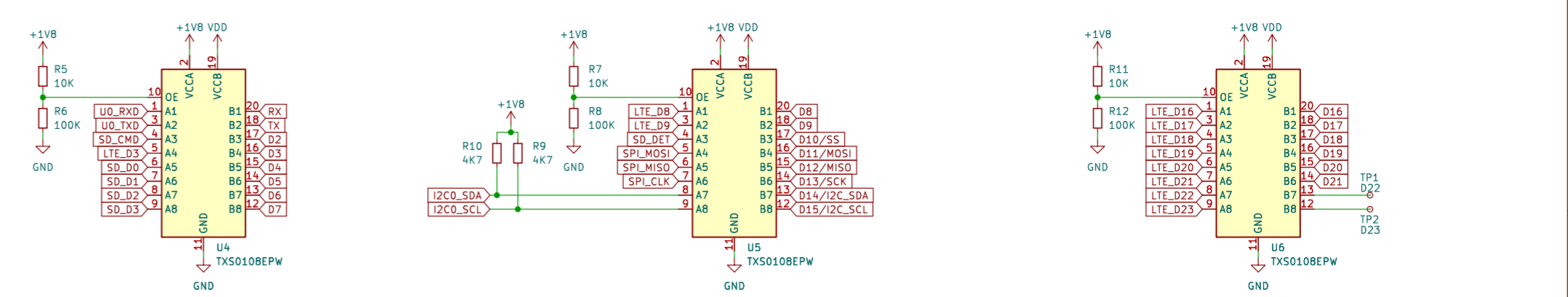


3.8V DC-DC Converter

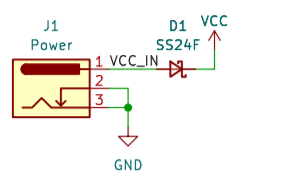


NOTE:
 $R1 = (V_{out} - V_{fb}) \cdot R2 / V_{fb}$
 $V_{fb} = 0.5V$
 $R1 = 300K, R2 = 56K$

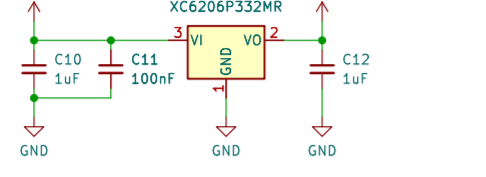
Level Translator



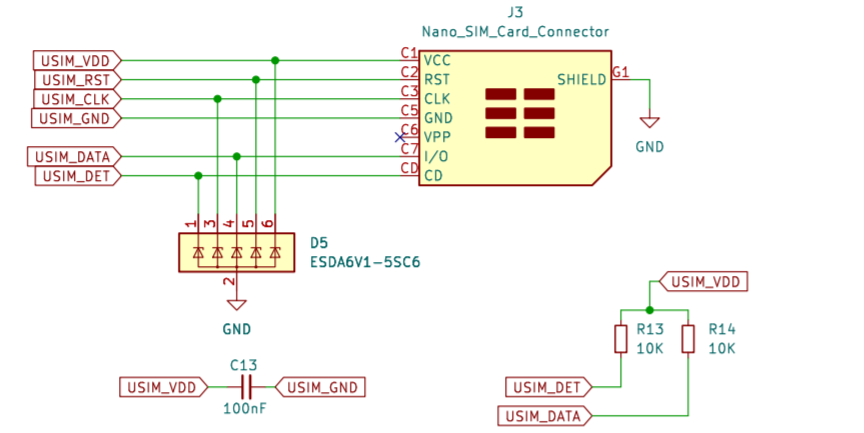
Power Jack



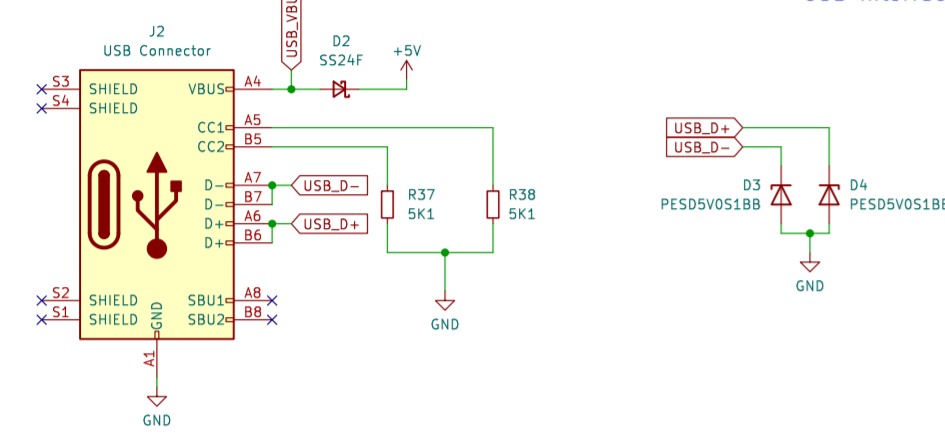
3.3V LDO



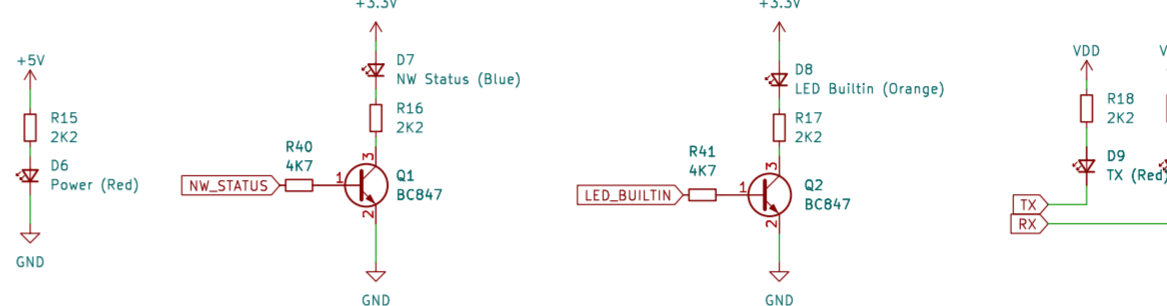
SIM Card Interface



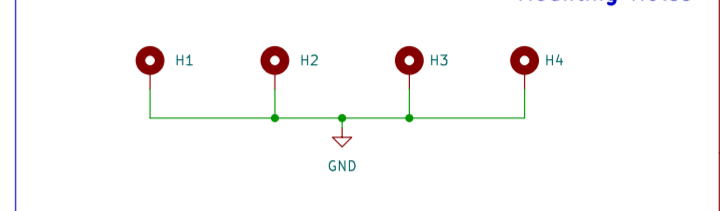
USB Interface



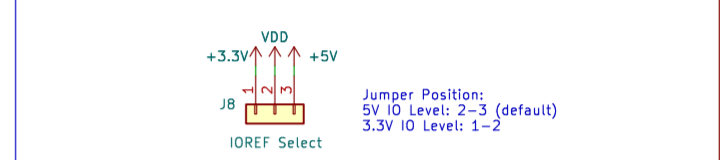
LED Indicators



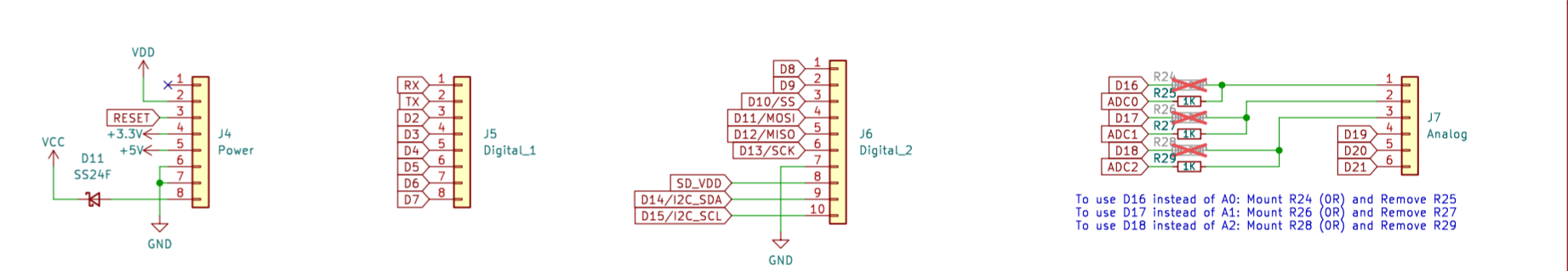
Mounting Holes



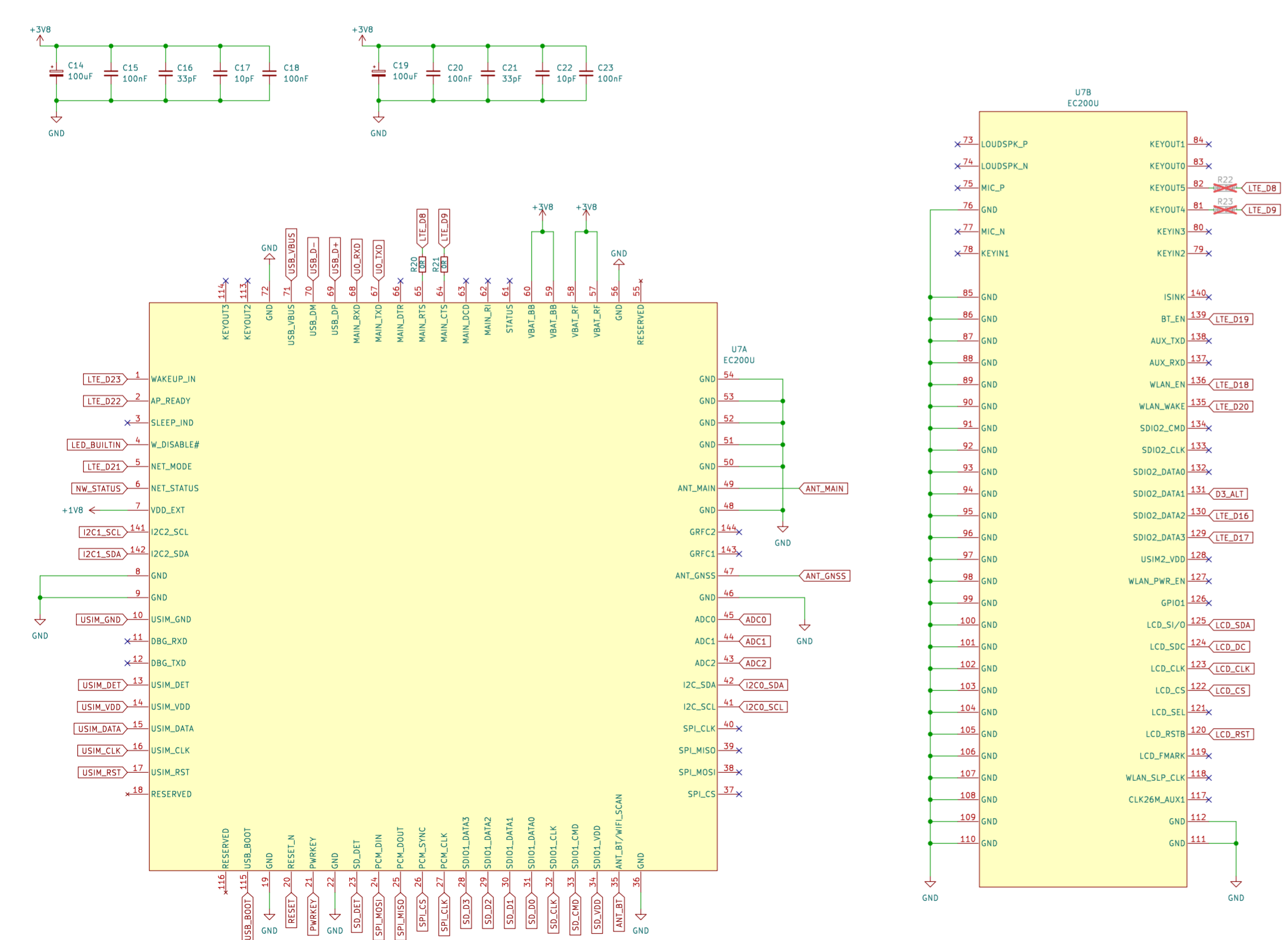
IOREF Select



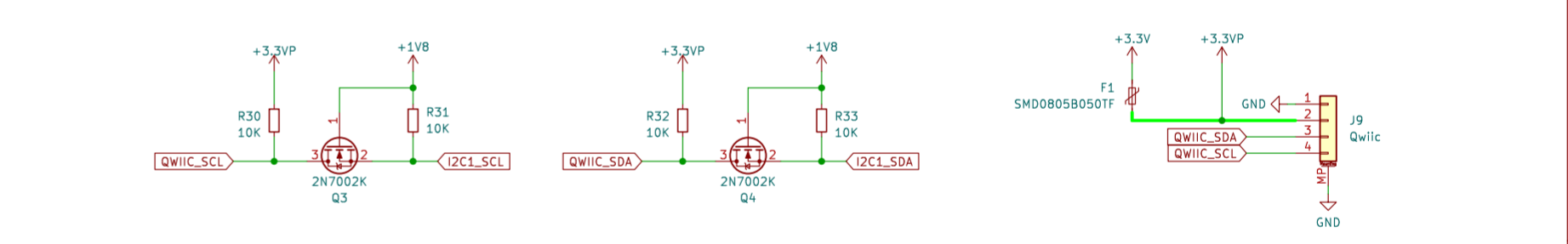
Arduino Connectors



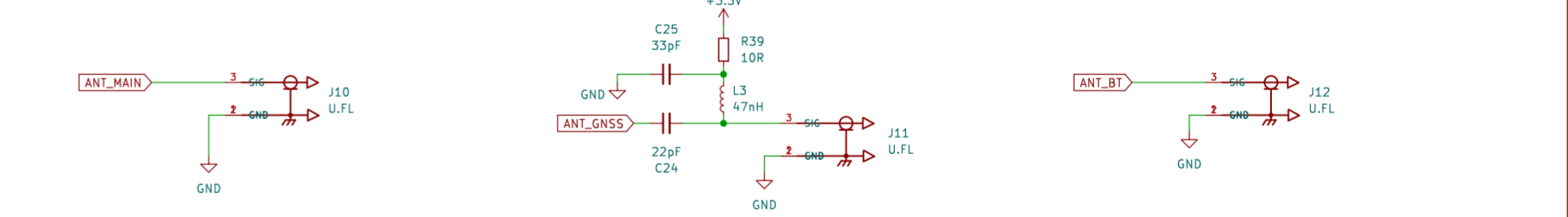
EC200U



QWIC Interface



RF Connectors



SPI LCD Connector

